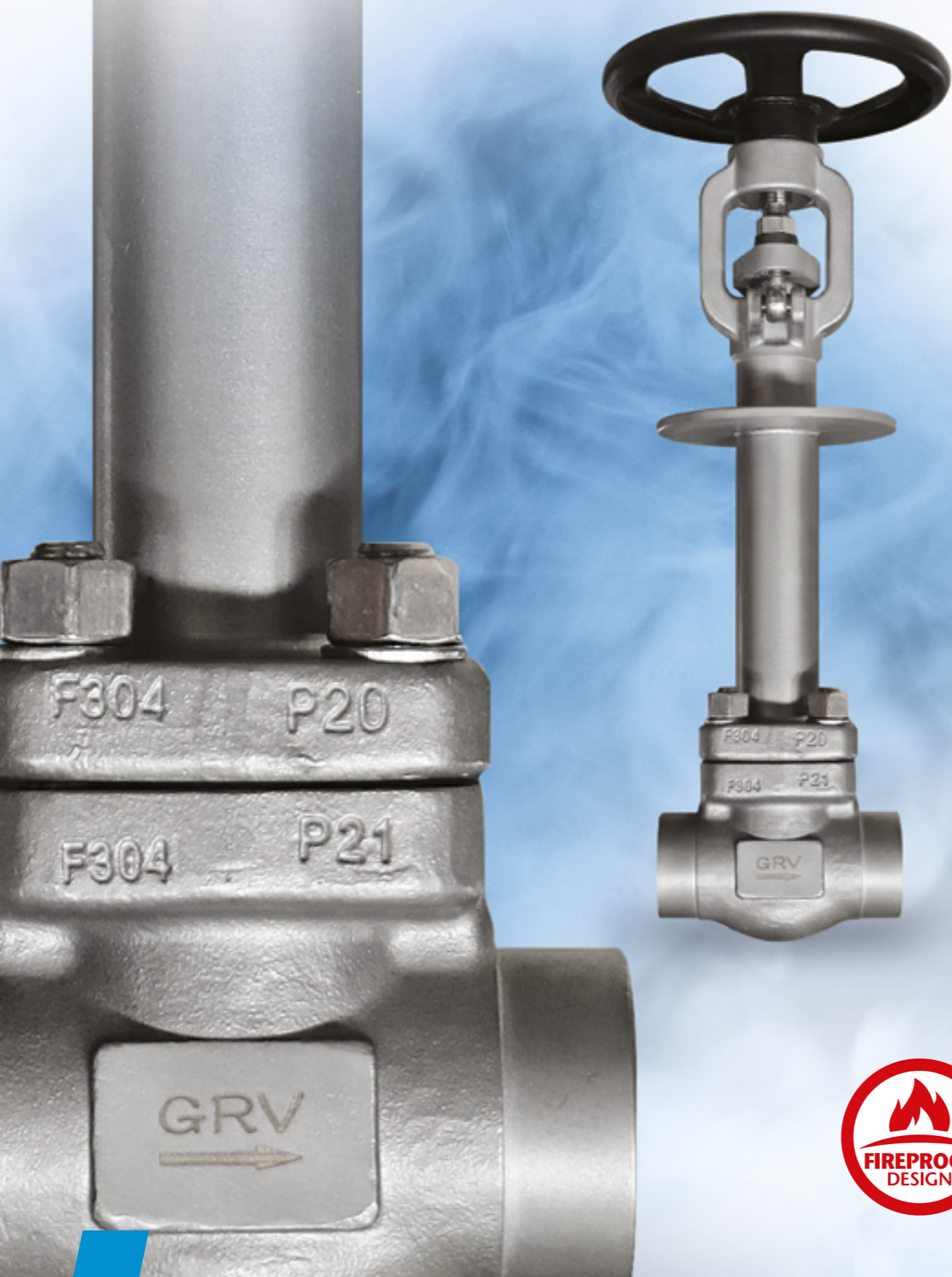


Gate

Series S260



Performance Features

- Precision cast body and exquisite appearance
- Full bore
- Bolted bonnet
- Flexible disc, high sealing performance
- Long life, low torque
- Fire-proofing, anti-static
- Cleaned and degreased for oxygen service
Please contact us for other applications.

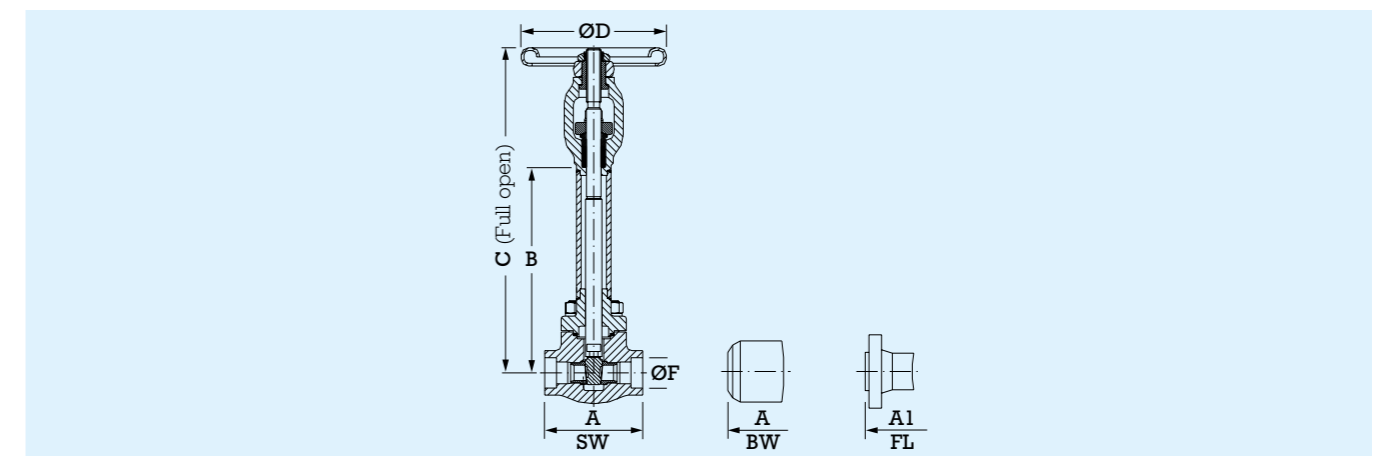
Specifications

- **Design Standard:** DIN3352, BS6364
- **Size:** 1/2"(DN15) ~ 6"(DN 150)
- **Rating:** PN20 ~ PN110
- **Temperature:** -196° ~ +80°
- **End Connection:** BW, SW, Flange
- **Service:** LNG, LO₂, LN₂ etc.
- **Test Standard:** BS6364
- **Operation:** Manual, Pneumatic, Electric, Hydraulic.

Main Parts & Materials

- **Body:** Austenitic stainless steel (casting/forging)
- **Disc:** ASTM A351 CF8/CF8M+STL6, ASTM A182 F304/F316+STL6
- **Bonnet:** stainless steel assembly parts
- **Stem:** ASTM A182 F304 /F316
- **Hand wheel:** Carbon steel
- **Packing:** Graphite
- **Seat Sealing:** ASTM A182 F304/F316+STL6
- **Stem Nut:** ASTM B124 C62300.

Connections & Dimensions



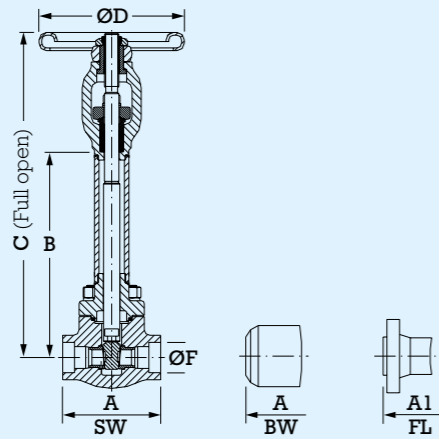
PN6~PN20

mm	Size inches	A	A1	B	C	D	F	Cv	Kv
15	1/2	90	140	220	360	140	21,3	23,34	20
20	3/4	95	152	230	384	160	26,9	44,34	38
25	1	108	165	233	384	160	33,7	84,02	72
32	1 1/4	145	178	250	396	160	42,4	128,4	110
40	1 1/2	165	240	270	435	160	48,3	198,4	170
50	2	216	250	312	535	200	-	315,1	270
65	2 1/2	241	270	405	550	200	-	443,4	380
80	3	283	280	435	570	250	-	595,2	510
100	4	305	300	460	600	250	-	1097	940
125	5	325	325	520	680	300	-	1633,8	1400
150	6	350	350	520	680	300	-	2567,4	2200



Note: All dimensions are in mm.

Connections & Dimensions



PN25~PN50

Size	A	A1	B	C	D	F	Cv	Kv	
mm	inches								
15	1/2	90	140	220	360	140	21,3	23,34	20
20	3/4	95	152	230	384	160	26,9	44,34	38
25	1	108	165	233	384	160	33,7	84,02	72
32	1 1/4	145	178	250	396	160	42,4	128,4	110
40	1 1/2	165	240	270	435	160	48,3	198,4	170
50	2	216	250	312	535	200	-	315,1	270
65	2 1/2	241	270	405	550	200	-	443,4	380
80	3	283	280	435	570	280	-	595,2	510
100	4	305	300	460	600	280	-	1097	940
125	5	381	325	520	680	350	-	1633,8	1400
150	6	403	350	520	680	350	-	2567,4	2200

PN63~PN110

Size	A	A1	B	C	D	F	Cv	Kv	
mm	inches								
15	1/2	90	165	225	380	140	21,3	23,34	20
20	3/4	95	190	240	400	160	26,9	44,34	38
25	1	108	216	240	400	160	33,7	84,02	72
32	1 1/4	145	229	265	420	160	42,4	128,4	110
40	1 1/2	165	241	300	450	160	48,3	198,4	170
50	2	216	250	330	560	250	-	315,1	270
65	2 1/2	241	280	420	580	250	-	443,4	380
80	3	283	310	450	600	300	-	595,2	510
100	4	305	350	480	630	300	-	1097	940
125	5	381	400	550	680	350	-	1633,8	1400
150	6	403	450	550	680	400	-	2567,4	2200

Note: All dimensions are in mm.

